



DESCRIPTION

A solid rectangular shape is reinterpreted in the elegant lines of the Mondrian LED Ceiling light. Primary figures converge, outlining precise geometric intersections that diffuse indirect light from LEDs that are integrated into its structure. Available in matte black nickel, polished gold, or light burnished brass finishes. Mondrian LED is also available in two wall versions.

PRODUCTS DETAILS

FUNCTION	CEILING
LOCATION	INTERIOR
LIGHT EMISSION	DIRECT AND INDIRECT LIGHT
LIGHT SOURCE	STRIP LED 15W/m 2700°K 1500lm/m CRI 90+ 24Vdc TOT. = 41W 4125lm
ENERGY EFFICIENCY	F
RATED VOLTAGE	110 - 120 V / 220 - 240 V
FREQUENCY	50 - 60Hz
SUPPLY	TERMINAL BLOCK
BALLAST	BALLAST INCLUDED

DALI or TRIAC dimming kit available upon request

CERTIFICATION



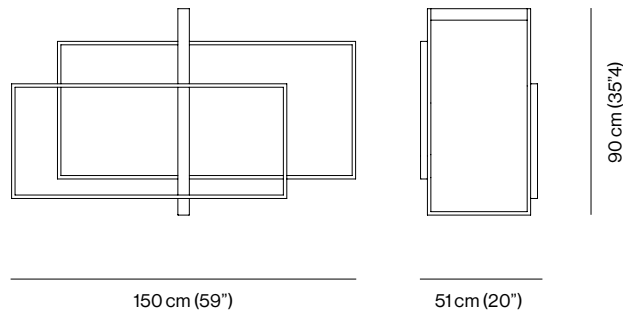
MATERIALS

STRUCTURE	
M04	POLISHED BLACK NICKEL
M05	POLISHED GOLD
M07	MATTE BLACK NICKEL
M11	LIGHT BURNISHED BRASS

PACKAGE

QTY	DIMENSIONS	NET WEIGHT	GROSS WEIGHT	TOTAL VOL.
1 x BOX	71 x 140 x H 25 cm (27"9 x 55"1 x 9"8)	10 kg	14 kg	0,25 m ³

DIMENSIONS



KIT J-BOX

