





DESCRIPTION

The Less System is a design that marks an evolution in the concept of light architecture. A combination of plain luminous rods, or with satin glass spherical diffusers, defines compositions of up to five elements, which may be arranged horizontally or vertically. Light emanates from different sources, reflecting off structural metals such as burnished natural brass or polished or matte black nickel.

PRODUCTS DETAILS

<b>FUNCTION</b>	SUSPENSION
<b>LOCATION</b>	INTERIOR
<b>LIGHT EMISSION</b>	DIFFUSED LIGHT
<b>LIGHT SOURCE</b>	1 × MAX 5W G9 LED 350lm 2700°K
<b>RATED VOLTAGE</b>	110 - 120V / 220 - 240V
<b>FREQUENCY</b>	50 - 60Hz
<b>SUPPLY</b>	TERMINAL BLOCK
<b>BALLAST</b>	BALLAST EXCLUDED
<b>WIRING CABLE LENGTH</b>	250 cm (98"4)
<b>STEEL CABLE LENGTH</b>	250 cm (98"4)

DALI or TRIAC dimming kit available upon request

CERTIFICATION



MATERIALS

STRUCTURE

<b>M03</b>	BURNISHED NATURAL BRASS
<b>M04</b>	POLISHED BLACK NICKEL
<b>M07</b>	MATTE BLACK NICKEL

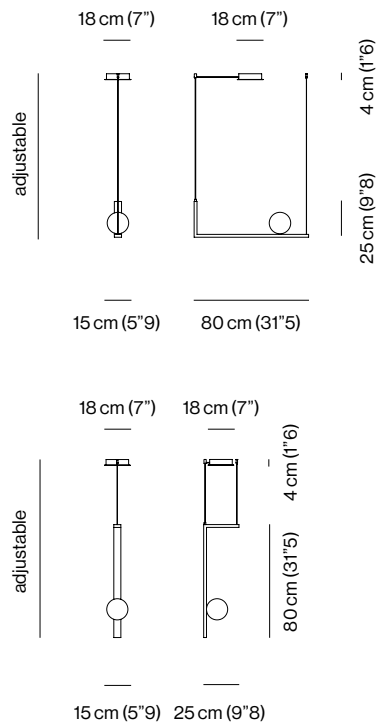
GLASS

<b>S</b>	WHITE SATIN
----------	-------------

PACKAGE

QTY	DIMENSIONS	NET WEIGHT	GROSS WEIGHT	TOTAL VOL.
1 × BOX	97 × 74 × H 30 cm (38"2 × 29"1 × H 11"8)	6 kg	8 kg	0,22 m <sup>3</sup>

DIMENSIONS





**DESCRIPTION** The Less System is a design that marks an evolution in the concept of light architecture. A combination of plain luminous rods, or with satin glass spherical diffusers, defines compositions of up to five elements, which may be arranged horizontally or vertically. Light emanates from different sources, reflecting off structural metals such as burnished natural brass or polished or matte black nickel.

<b>PRODUCTS DETAILS</b>	<b>FUNCTION</b>	SUSPENSION
	<b>LOCATION</b>	INTERIOR
	<b>LIGHT EMISSION</b>	DIFFUSED LIGHT
	<b>LIGHT SOURCE</b>	STRIP LED 17,3W/m 2700°K 2100lm/m CRI 80+ 24Vdc TOT. = 12W 1470lm
	<b>ENERGY EFFICIENCY</b>	F
	<b>RATED VOLTAGE</b>	110 - 120V / 220 - 240V
	<b>FREQUENCY</b>	50 - 60Hz
	<b>SUPPLY</b>	TERMINAL BLOCK
	<b>BALLAST</b>	BALLAST INCLUDED
	<b>WIRING CABLE LENGTH</b>	250 cm (98"4)
	<b>STEEL CABLE LENGTH</b>	250 cm (98"4)

DALI or TRIAC dimming kit available upon request

**CERTIFICATION**



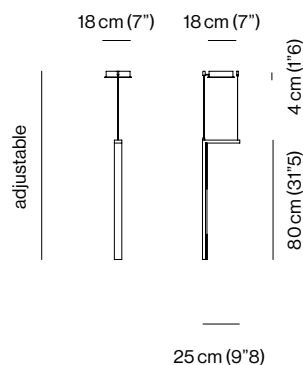
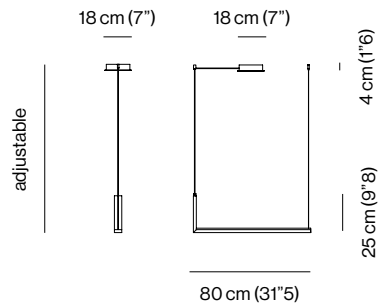
**MATERIALS**

<b>STRUCTURE</b>	
<b>M03</b>	BURNISHED NATURAL BRASS
<b>M04</b>	POLISHED BLACK NICKEL
<b>M07</b>	MATTE BLACK NICKEL

<b>GLASS</b>	
<b>S</b>	WHITE SATIN

<b>PACKAGE</b>	<b>QTY</b>	<b>DIMENSIONS</b>	<b>NET WEIGHT</b>	<b>GROSS WEIGHT</b>	<b>TOTAL VOL.</b>
1 x BOX	1 x BOX	97 x 74 x H30 cm (38"2 x 29"1 x H 11"8)	6 kg	8 kg	0,22 m <sup>3</sup>

**DIMENSIONS**






**DESCRIPTION** The Less System is a design that marks an evolution in the concept of light architecture. A combination of plain luminous rods, or with satin glass spherical diffusers, defines compositions of up to five elements, which may be arranged horizontally or vertically. Light emanates from different sources, reflecting off structural metals such as burnished natural brass or polished or matte black nickel.

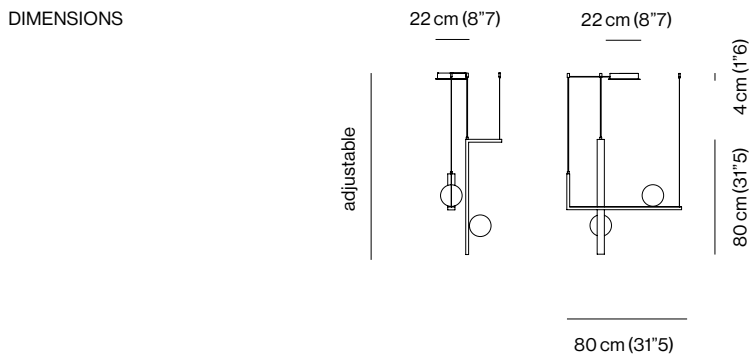
<b>PRODUCTS DETAILS</b>	<b>FUNCTION</b>	SUSPENSION
	<b>LOCATION</b>	INTERIOR
	<b>LIGHT EMISSION</b>	DIFFUSED LIGHT
	<b>LIGHT SOURCE</b>	2 × MAX 5W G9 LED 350lm 2700°K
	<b>RATED VOLTAGE</b>	110 - 120V / 220 - 240V
	<b>FREQUENCY</b>	50 - 60Hz
	<b>SUPPLY</b>	TERMINAL BLOCK
	<b>BALLAST</b>	BALLAST EXCLUDED
	<b>WIRING CABLE LENGTH</b>	250 cm (98"4)
	<b>STEEL CABLE LENGTH</b>	250 cm (98"4)

DALI or TRIAC dimming kit available upon request

**CERTIFICATION** 

<b>MATERIALS</b>	<b>STRUCTURE</b>	
	<b>M03</b>	BURNISHED NATURAL BRASS
	<b>M04</b>	POLISHED BLACK NICKEL
	<b>M07</b>	MATTE BLACK NICKEL
	<b>GLASS</b>	
	<b>S</b>	WHITE SATIN

<b>PACKAGE</b>	<b>QTY</b>	<b>DIMENSIONS</b>	<b>NET WEIGHT</b>	<b>GROSS WEIGHT</b>	<b>TOTAL VOL.</b>
	1 × BOX	97 × 74 × H 30 cm (38"2 × 29"1 × H 11"8)	10 kg	12 kg	0,22 m <sup>3</sup>







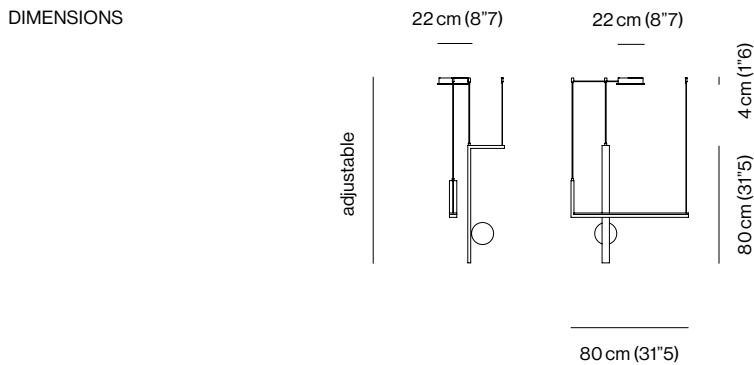
**DESCRIPTION** The Less System is a design that marks an evolution in the concept of light architecture. A combination of plain luminous rods, or with satin glass spherical diffusers, defines compositions of up to five elements, which may be arranged horizontally or vertically. Light emanates from different sources, reflecting off structural metals such as burnished natural brass or polished or matte black nickel.

<b>PRODUCTS DETAILS</b>	<b>FUNCTION</b>	SUSPENSION
	<b>LOCATION</b>	INTERIOR
	<b>LIGHT EMISSION</b>	DIFFUSED LIGHT
	<b>LIGHT SOURCE</b>	STRIP LED 17,3W/m 2700°K 2100lm/m CRI 80+ 24Vdc TOT. = 12W 1470lm + 1 x MAX 5W G9 LED 350lm 2700°K
	<b>ENERGY EFFICIENCY</b>	F
	<b>RATED VOLTAGE</b>	110 - 120V / 220 - 240V
	<b>FREQUENCY</b>	50 - 60Hz
	<b>SUPPLY</b>	TERMINAL BLOCK
	<b>BALLAST</b>	BALLAST INCLUDED
	<b>WIRING CABLE LENGTH</b>	250 cm (98"4)
	<b>STEEL CABLE LENGTH</b>	250 cm (98"4)
		DALI or TRIAC dimming kit available upon request

**CERTIFICATION**    **IP20**

<b>MATERIALS</b>	<b>STRUCTURE</b>
	<b>M03</b> BURNISHED NATURAL BRASS
	<b>M04</b> POLISHED BLACK NICKEL
	<b>M07</b> MATTE BLACK NICKEL
	<b>GLASS</b>
<b>S</b> WHITE SATIN	

<b>PACKAGE</b>	<b>QTY</b>	<b>DIMENSIONS</b>	<b>NET WEIGHT</b>	<b>GROSS WEIGHT</b>	<b>TOTAL VOL.</b>
1 x BOX		97 x 74 x H 30 cm (38"2 x 29"1 x H 11"8)	10 kg	12 kg	0,22 m <sup>3</sup>





DESCRIPTION

The Less System is a design that marks an evolution in the concept of light architecture. A combination of plain luminous rods, or with satin glass spherical diffusers, defines compositions of up to five elements, which may be arranged horizontally or vertically. Light emanates from different sources, reflecting off structural metals such as burnished natural brass or polished or matte black nickel.

PRODUCTS DETAILS

<b>FUNCTION</b>	SUSPENSION
<b>LOCATION</b>	INTERIOR
<b>LIGHT EMISSION</b>	DIFFUSED LIGHT
<b>LIGHT SOURCE</b>	STRIP LED 17,3W/m 2700°K 2100lm/m CRI 80+ 24Vdc TOT. = 24W 2940lm
<b>ENERGY EFFICIENCY</b>	F
<b>RATED VOLTAGE</b>	110 - 120V / 220 - 240V
<b>FREQUENCY</b>	50 - 60Hz
<b>SUPPLY</b>	TERMINAL BLOCK
<b>BALLAST</b>	BALLAST INCLUDED
<b>WIRING CABLE LENGTH</b>	250 cm (98"4)
<b>STEEL CABLE LENGTH</b>	250 cm (98"4)

DALI or TRIAC dimming kit available upon request

CERTIFICATION



MATERIALS

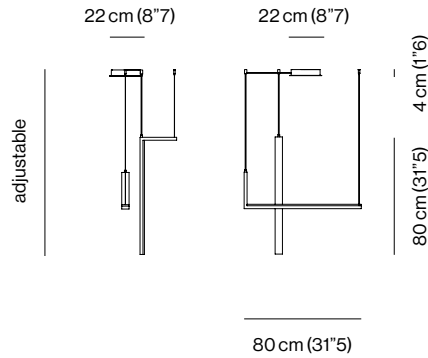
<b>STRUCTURE</b>	
<b>M03</b>	BURNISHED NATURAL BRASS
<b>M04</b>	POLISHED BLACK NICKEL
<b>M07</b>	MATTE BLACK NICKEL

<b>GLASS</b>	
<b>S</b>	WHITE SATIN

PACKAGE

QTY	DIMENSIONS	NET WEIGHT	GROSS WEIGHT	TOTAL VOL.
1 x BOX	97 x 74 x H 30 cm (38"2 x 29"1 x H 11"8)	10 kg	12 kg	0,22 m <sup>3</sup>

DIMENSIONS





**DESCRIPTION** The Less System is a design that marks an evolution in the concept of light architecture. A combination of plain luminous rods, or with satin glass spherical diffusers, defines compositions of up to five elements, which may be arranged horizontally or vertically. Light emanates from different sources, reflecting off structural metals such as burnished natural brass or polished or matte black nickel.

<b>PRODUCTS DETAILS</b>	<b>FUNCTION</b>	SUSPENSION
	<b>LOCATION</b>	INTERIOR
	<b>LIGHT EMISSION</b>	DIFFUSED LIGHT
	<b>LIGHT SOURCE</b>	STRIP LED 17,3W/m 2700°K 2100lm/m CRI 80+ 24Vdc TOT. = 12W 1470lm + 2 × MAX 5W G9 LED 350lm 2700°K
	<b>ENERGY EFFICIENCY</b>	F
	<b>RATED VOLTAGE</b>	110 - 120V / 220 - 240V
	<b>FREQUENCY</b>	50 - 60Hz
	<b>SUPPLY</b>	TERMINAL BLOCK
	<b>BALLAST</b>	BALLAST INCLUDED
	<b>WIRING CABLE LENGTH</b>	250 cm (98"4)
	<b>STEEL CABLE LENGTH</b>	250 cm (98"4)

DALI or TRIAC dimming kit available upon request

**CERTIFICATION**

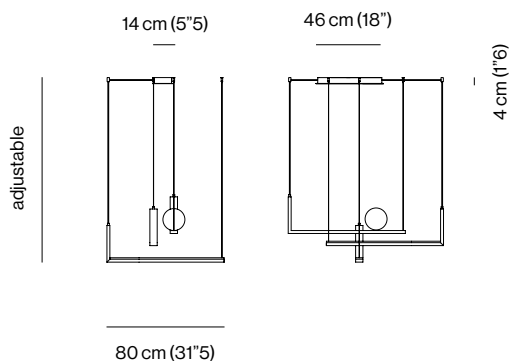


**MATERIALS**

<b>STRUCTURE</b>	
<b>M03</b>	BURNISHED NATURAL BRASS
<b>M04</b>	POLISHED BLACK NICKEL
<b>M07</b>	MATTE BLACK NICKEL
<b>GLASS</b>	
<b>S</b>	WHITE SATIN

<b>PACKAGE</b>	<b>QTY</b>	<b>DIMENSIONS</b>	<b>NET WEIGHT</b>	<b>GROSS WEIGHT</b>	<b>TOTAL VOL.</b>
	1 × BOX	98 × 86 × H 40 cm (38"6 × 33"8 × H 15"7)	17 kg	22 kg	0,34 m <sup>3</sup>

**DIMENSIONS**





DESCRIPTION

The Less System is a design that marks an evolution in the concept of light architecture. A combination of plain luminous rods, or with satin glass spherical diffusers, defines compositions of up to five elements, which may be arranged horizontally or vertically. Light emanates from different sources, reflecting off structural metals such as burnished natural brass or polished or matte black nickel.

PRODUCTS DETAILS

<b>FUNCTION</b>	SUSPENSION
<b>LOCATION</b>	INTERIOR
<b>LIGHT EMISSION</b>	DIFFUSED LIGHT
<b>LIGHT SOURCE</b>	STRIP LED 17,3W/m 2700°K 2100lm/m CRI 80+ 24Vdc TOT. = 3 × 12W 1470lm + 2 × MAX 5W G9 LED 350lm 2700°K
<b>ENERGY EFFICIENCY</b>	F
<b>RATED VOLTAGE</b>	110 - 120V / 220 - 240V
<b>FREQUENCY</b>	50 - 60Hz
<b>SUPPLY</b>	TERMINAL BLOCK
<b>BALLAST</b>	BALLAST INCLUDED
<b>WIRING CABLE LENGTH</b>	250 cm (98"4)
<b>STEEL CABLE LENGTH</b>	250 cm (98"4)

DALI or TRIAC dimming kit available upon request

CERTIFICATION



MATERIALS

<b>STRUCTURE</b>	
<b>M03</b>	BURNISHED NATURAL BRASS
<b>M04</b>	POLISHED BLACK NICKEL
<b>M07</b>	MATTE BLACK NICKEL

<b>GLASS</b>	
<b>S</b>	WHITE SATIN

PACKAGE

QTY	DIMENSIONS	NET WEIGHT	GROSS WEIGHT	TOTAL VOL.
1 × BOX	98 × 86 × H 40 cm (38"6 × 33"8 × H 15"7)	20 kg	25 kg	0,34 m <sup>3</sup>

DIMENSIONS

