

**DESCRIPTION** Crown Suspension's imposing luminous sculptured form shapes the light, creating evocative reflections in the surrounding space. The luster of its amber or smoke grey Murano crystal glass trihedrons is enhanced by its burnished brass or matte black nickel metal structure. Crown is also available in ceiling and wall versions.

<b>PRODUCTS DETAILS</b>	<b>FUNCTION</b>	SUSPENSION
	<b>LOCATION</b>	INTERIOR
	<b>LIGHT EMISSION</b>	DIFFUSED LIGHT
	<b>LIGHT SOURCE</b>	<b>CROWN SUSPENSION CIRCULAR</b> 30 × 2,7W COB LED 360lm 2700°K 320mA
		<b>CROWN SUSPENSION ELLIPTICAL</b> 24 × 2,7W COB LED 360lm 2700°K 320mA
	<b>RATED VOLTAGE</b>	110 - 120V / 220 - 240V
	<b>FREQUENCY</b>	50 - 60Hz
	<b>SUPPLY</b>	TERMINAL BLOCK
	<b>WIRING CABLE LENGTH</b>	250 cm (98"4)
	<b>STEEL CABLE LENGTH</b>	250 cm (98"4)

DALI or TRIAC dimming kit available upon request

**CERTIFICATION**



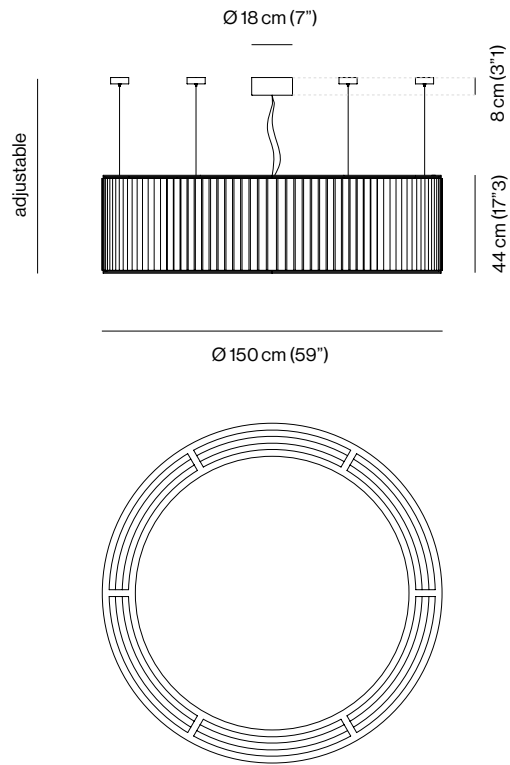
**MATERIALS**

<b>STRUCTURE</b>	
<b>M07</b>	MATTE BLACK NICKEL
<b>M11</b>	LIGHT BURNISHED BRASS
<b>GLASS</b>	
<b>C-T</b>	CRYSTAL TRIHEDRON
<b>G-T</b>	SMOKE GREY TRIHEDRON
<b>R-T</b>	AMBER TRIHEDRON

PACKAGE	QTY	DIMENSIONS	NET WEIGHT	GROSS WEIGHT	TOTAL VOL.
<b>CROWN SUSPENSION CIRCULAR</b>					
	1 × CRATE	161 × 161 × H 65 cm (63"4 × 63"4 × H 25"6)	90 kg	195 kg	1,92 m <sup>3</sup>
	4 × BOXES	41 × 31 × H 49 cm (16"1 × 12"2 × H 19"2)	16 kg	19 kg	
<b>CROWN SUSPENSION ELLIPTICAL</b>					
	1 × CRATE	153 × 79 × H 65 cm (60"2 × 31"1 × H 25"6)	90 kg	143 kg	0,97 m <sup>3</sup>
	3 × BOXES	41 × 31 × H 49 cm (16"1 × 12"2 × H 19"2)	16 kg	19 kg	

DIMENSIONS

CROWN SUSPENSION CIRCULAR



CROWN SUSPENSION ELLIPTICAL

